

VACUUM BREAKER VB 21

DESCRIPTION

The VB 21 vacuum breakers are simple and reliable devices that automatically relieve or “break” an unwanted vacuum condition, restoring the atmospheric pressure .

This device is particularly suitable for steam heated units of small and medium volume as heat exchangers, heating coils, calorifiers, jacketed kettles, steam boilers, etc.

Connections are female screwed.

USE: Saturated and superheated steam.

AVAILABLE

MODELS: VB 21

SIZES: ½”.

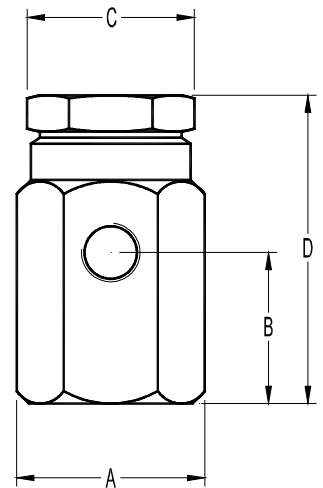
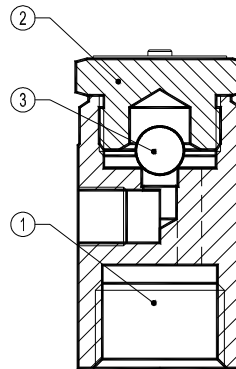
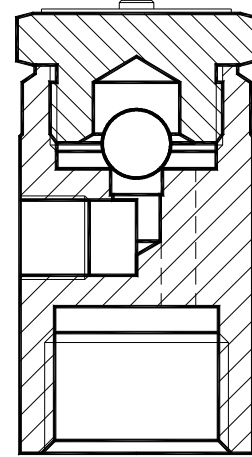
CONNECTIONS: Inlet 1/2” vertical
Outlet 1/8” horizontal
Female screwed ISO 7/1 Rp (BS21)

INSTALLATION: Vertical installation angled connection.
See IMI, installation and maintenance instructions.

PMO: Max. operating pressure 21 bar

TMO: Max. operating temperature 250 °C

How to order: i.e. VB 21 DN 1/2” BSP



MATERIALS

POS. NR	DESIGNATION	MATERIAL
1	BODY	AISI 304
2	COVER	AISI 304
3 *	BALL VALVE	STAINLESS STEEL

* AVAILABLE SPARE PARTS

DIMENSIONS (mm)					
SIZE	A	B	C	D	WEIGHT
DN					Kg
1/2"	32	26	26	52	0,17