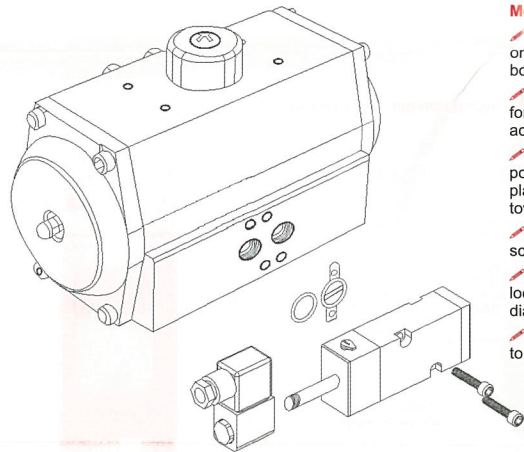


Mounting instructions NAMUR VALVES

Thank you for buying a solenoid valve of our series **Namur Valve**.

The item is available in double coil or single coil execution. Both of them are presenting following technical details:

- Direct mounting on actuators according to VDI/VDE3845-NAMUR (with distance plate for coil width 30mm)
- Easy converting from 5/2-ways to 3/2-ways function by means of turning around the innovative "Smart Seal" plate
- Kompakt and nice proportions
- High flow capacity
- Low consumption
- Low weight
- Body in anodized aluminium, black colour (others on request)
- High precision finishing technic of internal parts guarantees long life
- LED connector with enclosure IP65 (standard) or black connector IP67 with moulded cable (optional) according to DIN EN ISO 60529
- 2 different valve sizes with flow rate CV=1,00-1,68 (standard) or CV=0,67-0,89 (optional)
- Manual override with comfortable "Push"-button or for screw driver operation, lockable position
- Function diagram, item and charge number printed on valve's body for permanent information
- Different coils available for standard application, explosions-proof or low watt application
- Screws for fixing of solenoid as well as O-rings are part of standard equipment
- Paked into easy storing box with indication of item number and coil tension

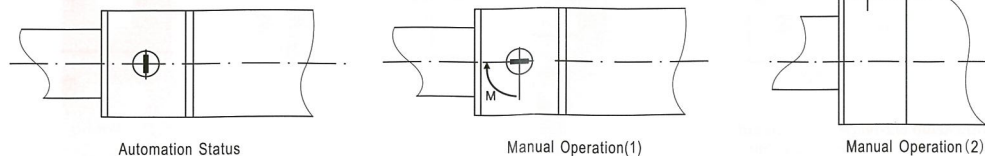


Mounting

- Place the O-ring and O-ring seal plate into the appropriate bores on the valve's body. They should be completely seated into the bores.
- Pay attention to choose 5/2-ways function on the solenoid valve for double-acting actuators and 3/2-ways function for spring return actuators.
- Place the actuator with the two ports facing you and the stem pointing up. Orient Smart Namur Valve with the O-ring and O-ring plate (Smart Seal Plate) towards the actuator and the operator towards the left.
- The solenoid valve is then mounted to the actuator with the two screws provided as part of the standard equipment.
- Connect the air supply to center port 1 and wire solenoid per local and national electrical codes. Please consider the wiring diagram below. The assembly is now ready for operation.
- Optional brass vents or adjustable speed controls can be added to the exhaust ports.

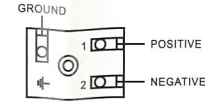
Manual override

The Namur Valve comes equipped with a locking manual override. A small blue switch located between the valve body and the coil positioned perpendicular to the long axis of the valve body allows for overriding of the solenoid if necessary. The normal position for the switch will be perpendicular to the long axis of the valve body. Simply pushing down the blue switch can manually override the solenoid (please see manual operation 2 below). It is possible to arrest the blue switch and lock the solenoid in disengaged position simply by pushing down the blue switch and rotating in clockwise direction (please see manual operation 1 below).



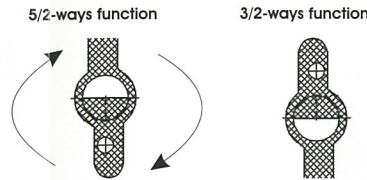
Wiring diagram

- Note: The wiring diagram is the same for all voltages
- (AC: 12,24,48, 125,230,380 DC: 12,24,48,125,230)



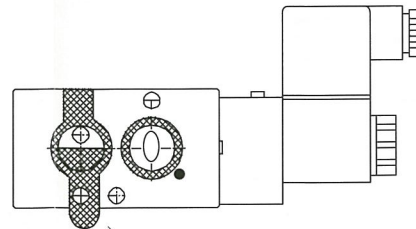
Smart Seal Plate

- The Namur Valve has a combined 5/2- and 3/2-ways function. Just rotate by 180° the Smart Seal Plate so to change from 5/2- to 3/2-ways function

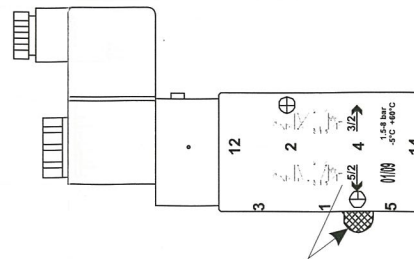


Just rotate by 180° so to change from 5/2-ways to 3/2-ways function

Final mounting position Seal Plate for 5/2-way



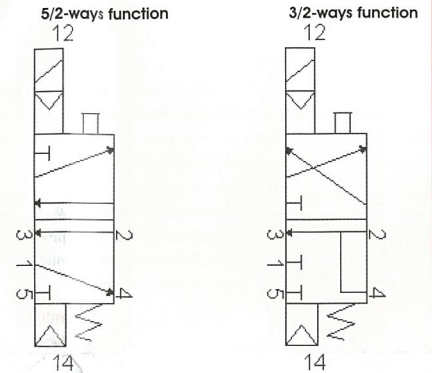
5/2-ways function



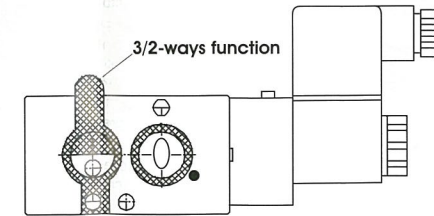
Front side showing 5/2 indication

Function diagram

- Please find the function diagram for both 5/2- and 3/2-ways function



Final mounting position Seal Plate for 3/2-way



3/2-ways function

Front side showing 3/2 indication

