

Bronze Globe Valves

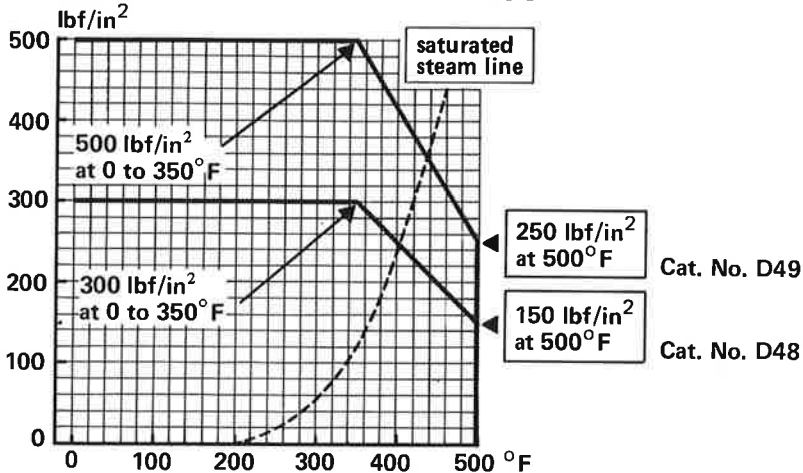
Flanged BS10

RENEWABLE NICKEL ALLOY PLUG DISK
STAINLESS STEEL SEAT
UNION BONNET

Class 150 Class 250

D48
D49

PRESSURE/TEMPERATURE RATINGS



TESTING

Each valve is individually tested to BS 2060.

SPECIFICATION

D48

Sizes 1/2 to 3 - Flanged BS 10 Table F.

D49

Sizes 1/2 to 3 - Flanged BS 10 Table H.

Valves generally conform to BS 2060 for the Class ratings stated but face-to-face dimensions are to Crane standard. Design incorporates nickel alloy plug type disk retained on stem by a threaded ring. The body seat is a screwed-in stainless steel ring. Sizes 1/2 to 2 have a union bonnet; sizes 2 1/2 and 3 have a bolted bonnet. End flanges conform to BS 10 Table F or H with flat face and are normally supplied drilled.

MATERIALS

Part	Material	BS	ASTM
Body	No. 4 Bronze	BS 1400 LG2	B 62 Alloy 836
Bonnet	No. 4 Bronze	BS 1400 LG2	B 62 Alloy 836
Union ring	No. 4 Bronze	BS 1400 LG2	B 62 Alloy 836
Seat ring	13% Chromium Steel	BS 1506-410S21	A 182 Grade F6a
Disk	No. 49 Nickel Alloy	-	-
Stem			
1/2 to 2	Manganese Bronze	BS 2874 CZ 114	B 138 Alloy 675
2 1/2 and 3	No. 9 Mang. Bronze	BS 1400 HTB 1	B 584 Alloy 864

DIMENSIONS AND WEIGHTS

Size	Dimensions									Weight	
	D48/9			D48			D49			kg	
	B	H	A	D	E	A	D	E	D48	D49	
1/2	5.50	2.56	3.69	3.75	0.31	4.25	4.50	0.38	1.72	2.82	
3/4	6.00	2.75	4.31	4.00	0.31	4.75	4.50	0.38	2.34	2.88	
1	6.75	3.06	4.94	4.75	0.38	5.38	4.75	0.44	3.63	3.95	
1 1/4	7.63	3.63	5.75	5.25	0.38	6.13	5.25	0.44	4.85	6.24	
1 1/2	8.63	4.06	6.38	5.50	0.44	6.75	5.05	0.50	6.69	7.20	
2	9.88	4.75	7.63	6.50	0.44	7.88	6.50	0.50	10.09	10.59	
2 1/2	11.00	6.00	8.13	7.25	0.50	8.38	7.25	0.56	15.40	16.00	
3	12.31	7.00	8.88	8.00	0.56	9.38	8.00	0.63	21.74	22.68	

SPECIFICATION ADDITIONS OR VARIATIONS

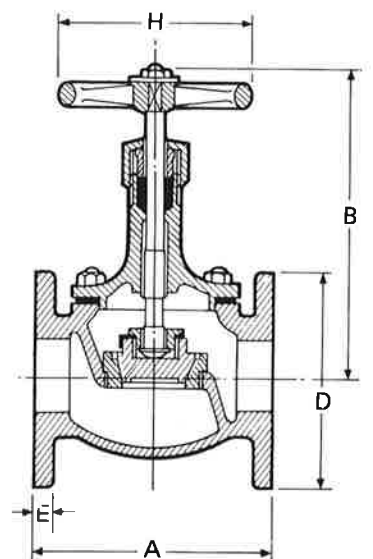
Flanges undrilled.

Locking device Cat. No. P150 - see page 95.

Gland packing to suit special services.



D48



Sizes 2 1/2 and 3

Sizes 1/2 to 2:
Construction is same
as for DM48 on page 58.