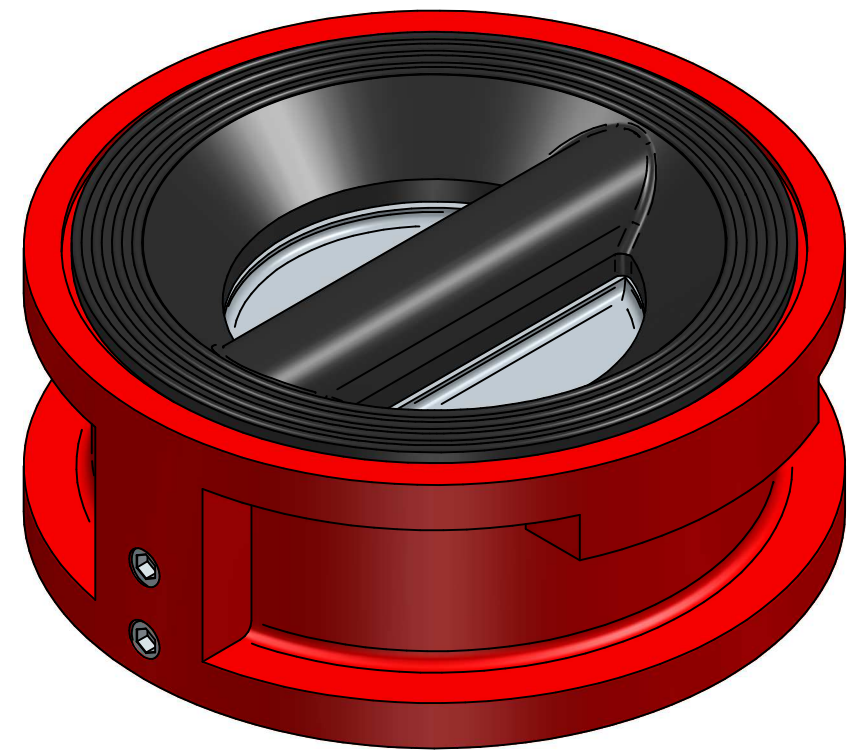
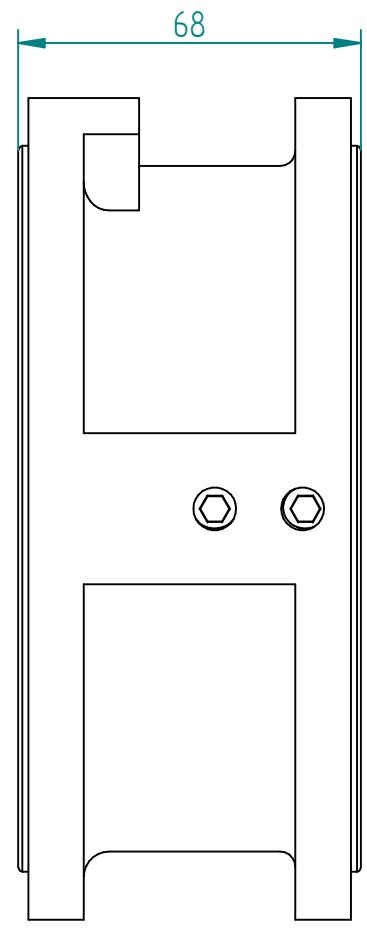
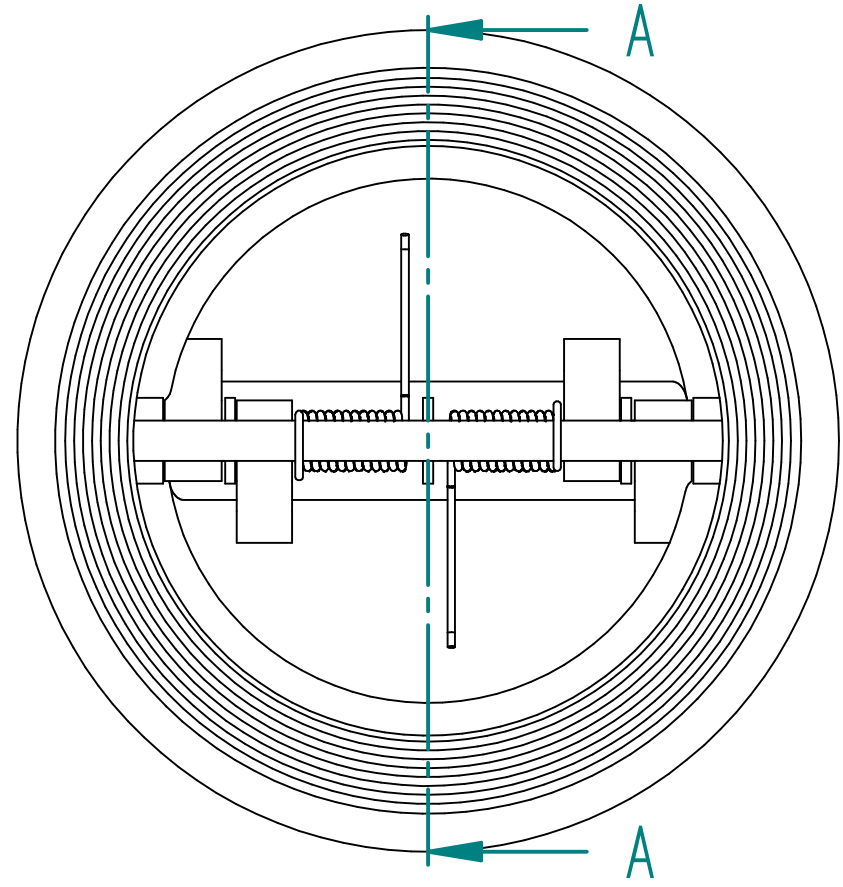


SECTION A-A



TITLE RUBBER COATED DUAL CHECK VALVE DN100  
 DI BODY, AL.BR. DISC.  
 STAINLESS STEEL 316 SHAFT, EPDM

	NAME	DATE	SIZE	DWG NO
DRAWN	MOTO	03.05.2018	<b>A3</b>	QIF-180-021-0100
CHECKED	TOCO	03.05.2018	FILE NAME: QIF-180-021-0100.dft	
ENG APPR	TOCO	03.05.2018	SCALE: 1:1,5	REV: .....
MGR APPR	TOCO	03.05.2018	WEIGHT:	SHEET:

UNLESS OTHERWISE SPECIFIED  
 DIMENSIONS ARE IN MILLIMETERS  
 AND TOLERANCES ARE +/-0,5

REV	DESCRIPTION	DATE	APPROVED
REVISION HISTORY			