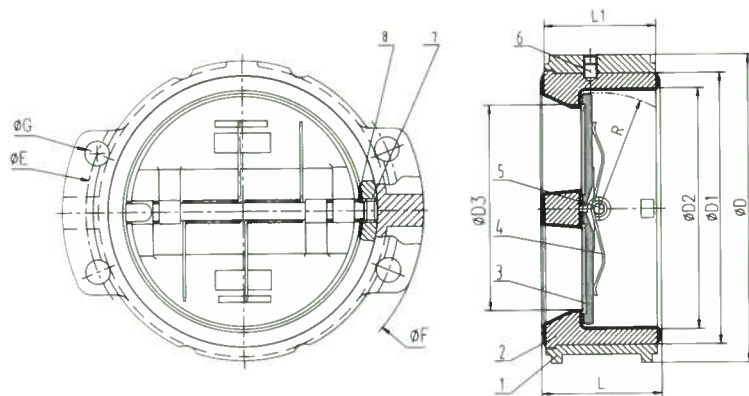


RUBBER-COATED CHECK VALVE



FLG.NO: 3801



TECHNICAL REQUIREMENT

- Flange dimensions Conform to EN 1092-2 PN10/16, ANSI B16.1 CLASS 125
- Testing Conform to EN12266-1

MATERIALS OF PARTS

No.	Part Name	Material	Optional Material
1	ALIGNMENT BODY	DI	
2	LINER	NBR	EPDM, FKM
3	DISC	Plated Ductile Iron	ASTM A351 CF8M, B148 C954
4	SPRING	ASTM A276 316	MONEL
5	SHAFT	ASTM A276 316	MONEL
6	SET SCREW	CARBON STEEL	
7	SHAFT PLUG	ASTM A276 316	MONEL
8	THRUST WASHER	PTFE	

DIMENSIONS DATE (mm)

Size		D	D1	D2	D3	L	L1	R	ØF	EN 1092-2 PN10		EN 1092-2 PN16		ANSI CLASS 125	
Inch	DN									ØE	n-ØG	ØE	n-ØG	ØD	n-Ød1
2"	DN50	101	84.6	66.68	47.6	54	50	29	165	125	4-Ø19	125	4-Ø19	120.5	4-Ø19
2.5"	DN65	120	98.9	79.38	58.7	54	50	36	185	145	4-Ø19	145	4-Ø19	139.5	4-Ø19
3"	DN80	131	116.3	92.08	69.9	54	50	43	200	160	8-Ø19	160	8-Ø19	152.5	4-Ø19
4"	DN100	171	143.4	117.48	87.3	63.5	60	53	234	180	8-Ø19	180	8-Ø19	190.5	8-Ø19
5"	DN125	193	172	144.46	112.7	66.7	63	66	270	210	8-Ø19	210	8-Ø19	216.0	8-Ø22
6"	DN150	222	200.5	171.45	141.3	79.4	76	79	304	240	8-Ø23	240	8-Ø23	241.5	8-Ø22
8"	DN200	268	254.3	222.25	192.1	98.4	95	104	367	295	8-Ø23	295	12-Ø23	298.5	8-Ø22
10"	DN250	335	308.5	276.23	230.2	101.6	98	127	428	350	12-Ø23	355	12-Ø28	362.0	12-Ø25
12"	DN300	403	365.6	327.03	274.6	130.2	126	148	497	400	12-Ø23	410	12-Ø28	432.0	12-Ø25
14"	DN350	430	394.8	358.78	306.4	181	178	172	570	460	16-Ø23	470	16-Ø28	476.0	12-Ø29
16"	DN400	511	448.8	409.58	355.6	162	159	197	635	515	16-Ø28	525	16-Ø31	539.5	16-Ø29
18"	DN450	546	505.9	460.37	406.1	184.2	180.5	218	640	565	20-Ø28	585	20-Ø31	578.0	16-Ø32
20"	DN500	597	553.6	511.17	469.9	215.9	212.5	241	700	620	20-Ø28	650	20-Ø34	635.0	20-Ø32
24"	DN600	714	655	612.77	565.5	215.9	212.5	295	820	725	20-Ø31	770	20-Ø37	749.5	20-Ø35