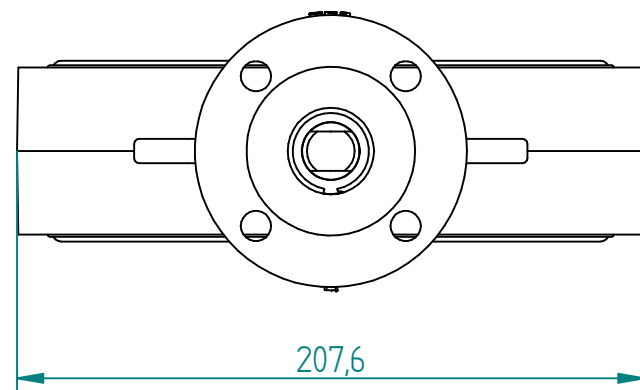
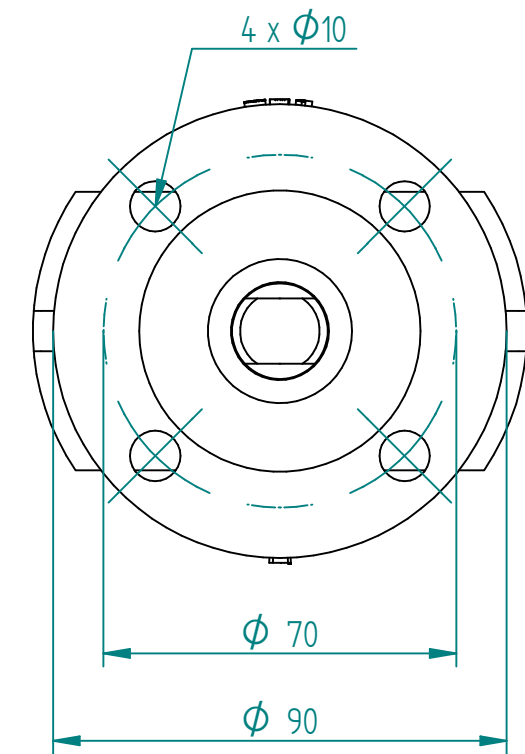
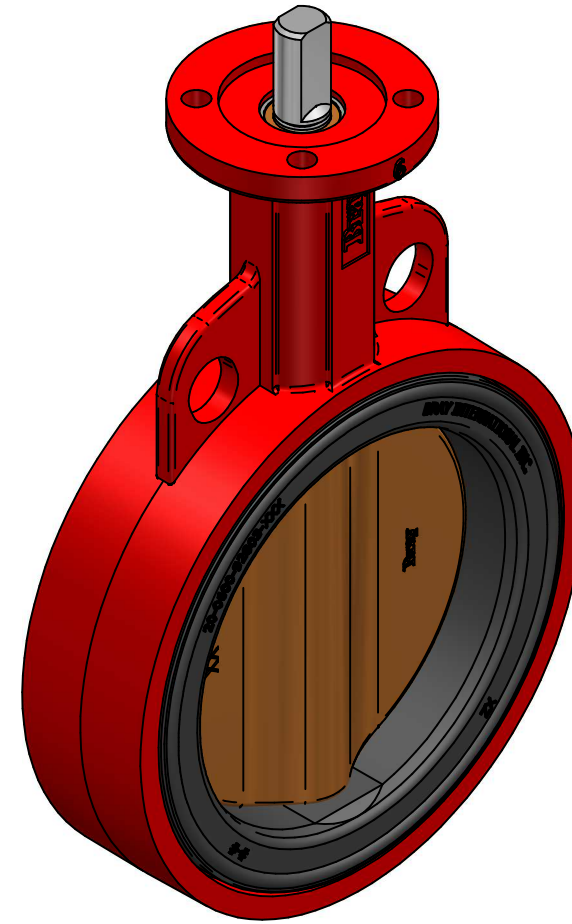
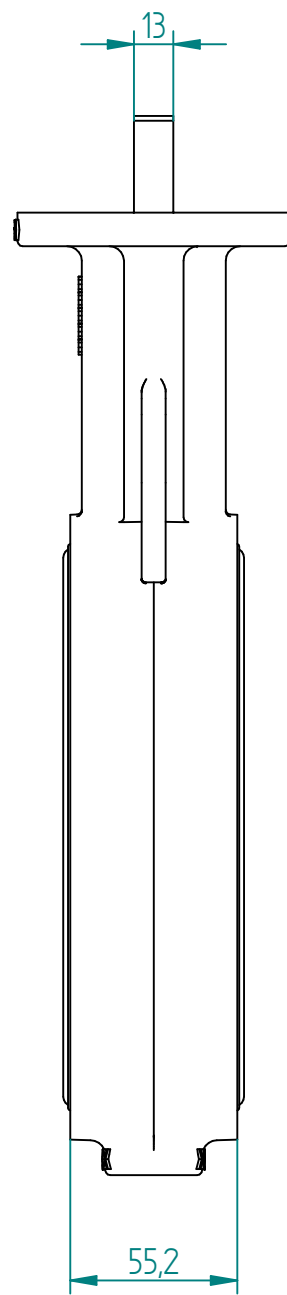
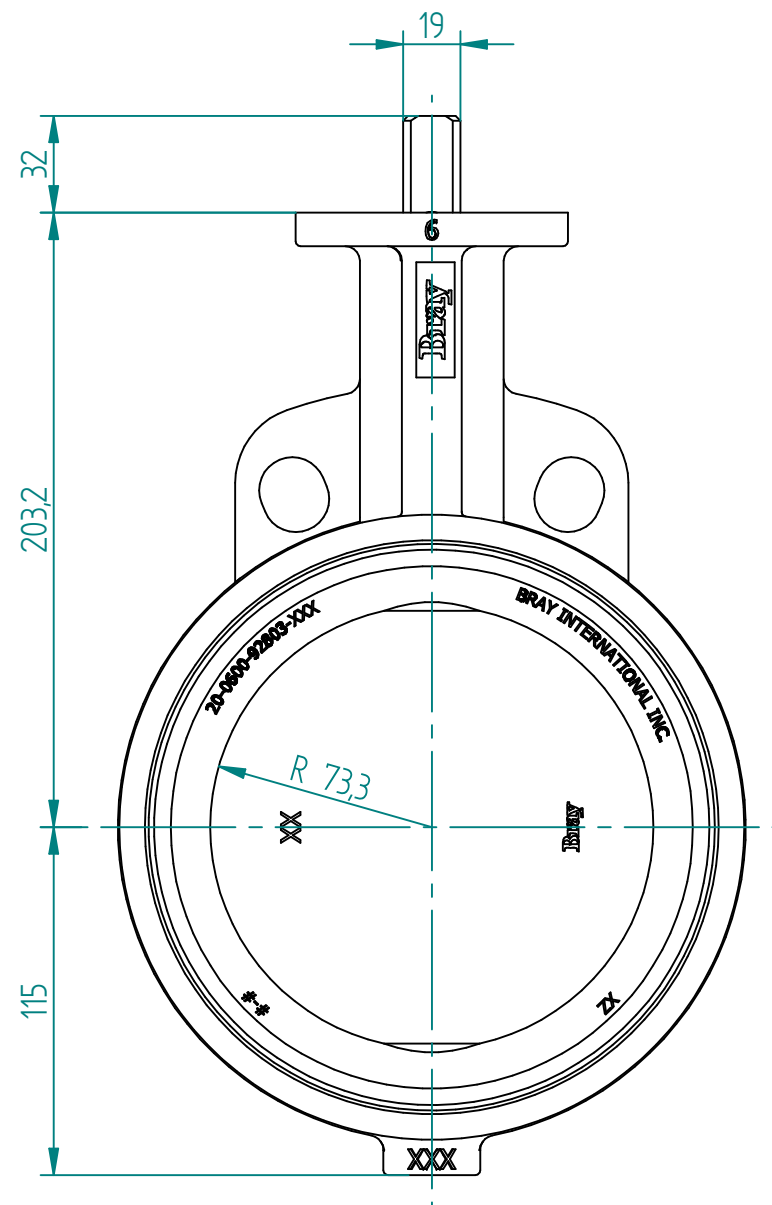


No.	Part Name	Material	Qty.
1	Body	Ductile Iron	1
2	Disc	Aluminum Bronze	1
3	Stem	Stainless Steel	1
4	Seat	BUNA-N	1



DRAWN	NAME	DATE	SIZE	DWG NO	
				MOTO	08.08.2014
CHECKED	TOCO	08.08.2014	FILE NAME: BRA00105.dft		
ENG APPR	TOCO	dd.mm.yyyy	SCALE: 1:2,5	REV: .....	
MGR APPR	TOCO	dd.mm.yyyy	WEIGHT: 8,0 kg	SHEET: 1 OF 1	

UNLESS OTHERWISE SPECIFIED DIMENSIONS ARE IN MILLIMETERS AND TOLERANCES ARE +/-0,5

REV	DESCRIPTION	DATE	APPROVED
REVISION HISTORY			

TITLE BUTTERFLY VALVE BRAY S30/684 COCENTRIC WAFER 6" PN16