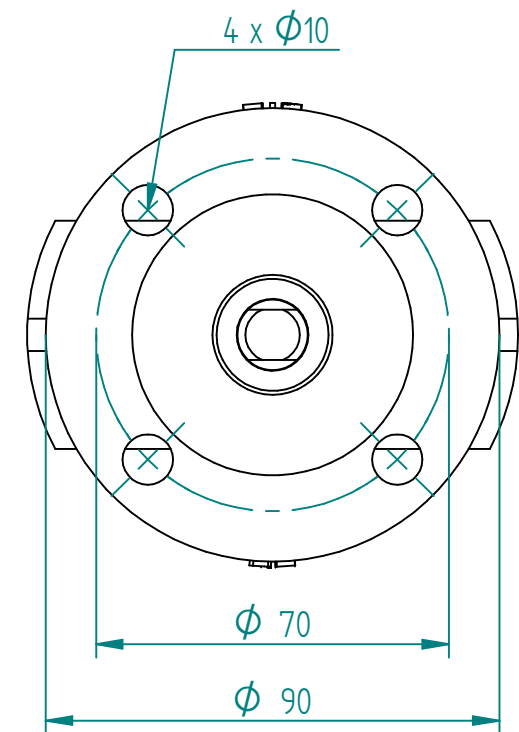
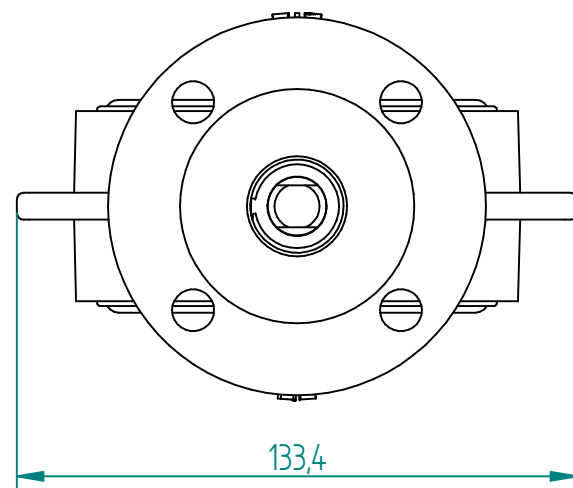


No.	Part Name	Material	Qty.
1	Body	Cast Iron	1
2	Disc	Aluminum Bronze	1
3	Stem	Stainless Steel	1
4	Seat	BUNA-N	1



TITLE	NAME		DATE	SIZE	DWG NO
	DRAWN	MOTO	08.08.2014	A3	BRA00101
	CHECKED	TOCO	08.08.2014	FILE NAME: BRA00101.dft	
	ENG APPR	TOCO	dd.mm.yyyy	SCALE: 1:1,8	REV:
	MGR APPR	TOCO	dd.mm.yyyy	WEIGHT: 3,0 kg	SHEET: 1 OF 1

UNLESS OTHERWISE SPECIFIED DIMENSIONS ARE IN MILLIMETERS AND TOLERANCES ARE +/-0,5

REV	DESCRIPTION	DATE	APPROVED
REVISION HISTORY			

BUTTERFLY VALVE BRAY S30/684
COCENTRIC WAFER 2 1/2" PN16