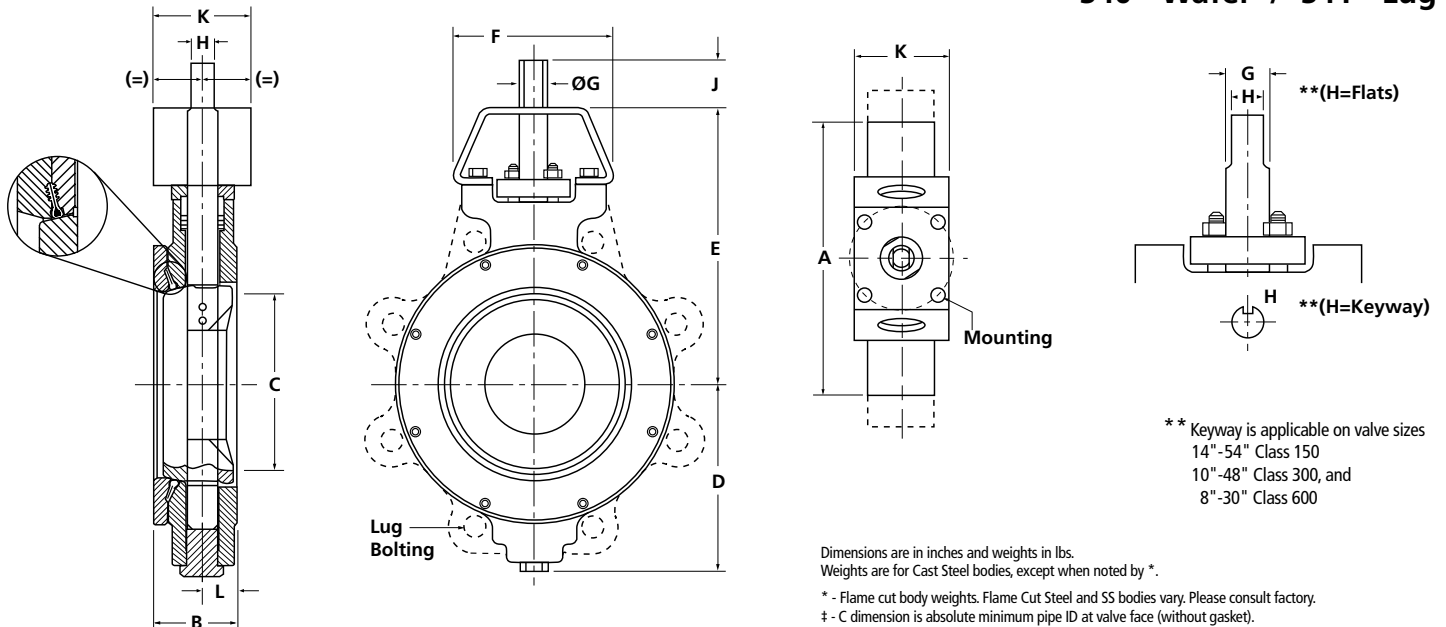


S40 - Wafer / S41 - Lug



Dimensions are in inches and weights in lbs.
Weights are for Cast Steel bodies, except when noted by *.

* - Flame cut body weights. Flame Cut Steel and SS bodies vary. Please consult factory.
‡ - C dimension is absolute minimum pipe ID at valve face (without gasket).

** Keyway is applicable on valve sizes
14"-54" Class 150
10"-48" Class 300, and
8"-30" Class 600

IMPERIAL DIMENSIONS: Inches

Valve Size	A	B	C‡	D	E	F	Mounting Data			G	H**	J	K	L	Weight (lbs)	Lug Bolting Data			Weight (lbs)
							BCD	No. Holes	Hole Dia.							BCD	No. Holes	Threads UN-2B	
2½	4.75	1.88	2.28	3.81	6.38	4.36	2.76	4	0.38	0.63	0.43	1.25	2.50	0.77	13	5.50	4	5/8 - 11	14
3	5.25	1.88	2.86	4.09	6.63	4.36	2.76	4	0.38	0.63	0.43	1.25	2.50	0.77	16	6.00	4	5/8 - 11	15
4	6.75	2.03	3.72	4.71	7.50	4.36	2.76	4	0.38	0.63	0.43	1.25	2.50	0.75	20	7.50	8	5/8 - 11	23
5	7.50	2.23	4.80	5.07	7.50	5.12	2.76	4	0.38	0.75	0.51	1.25	4.50	0.94	26	8.50	8	3/4 - 10	34
6	8.62	2.23	5.88	5.57	8.00	5.12	2.76	4	0.38	0.75	0.51	1.25	4.50	0.94	33	9.50	8	3/4 - 10	47
8	10.75	2.40	7.80	6.94	9.50	5.12	4.92	4	0.53	0.87	0.63	1.25	4.50	0.94	46	11.75	8	3/4 - 10	54
10	13.06	2.75	9.78	8.56	10.75	6.12	4.92	4	0.53	1.18	0.87	2.00	4.50	1.07	79	14.25	12	7/8 - 9	94
12	15.50	3.08	11.74	10.18	12.25	6.12	4.92	4	0.53	1.18	0.87	2.00	4.50	1.13	123	17.00	12	7/8 - 9	136
14	17.50	3.73	12.90	11.95	14.50	7.75	4.92	4	0.53	1.38	.39 x .39	2.00	6.50	1.42	208	18.75	12	1 - 8	227
16	19.81	4.11	14.68	12.94	17.75	10.38	6.50	4	0.81	1.97	.47 x .39	2.50	6.50	1.66	313	21.25	16	1 - 8	345
18	21.41	4.61	16.60	14.15	20.00	10.38	6.50	4	0.81	1.97	.47 x .39	2.50	6.50	1.86	402	22.75	16	1 1/8 - 8	442
20	23.68	5.03	18.50	15.26	22.75	10.38	6.50	4	0.81	2.50	.62 x .62	4.00	6.50	2.06	527	25.00	20	1 1/8 - 8	604
24	28.00	6.00	22.50	18.21	25.00	15.38	10.00	8	0.67	3.00	.75 x .75	4.00	11.75	2.44	813	29.50	20	1 1/4 - 8	930
26	29.50	6.50	22.36	19.23	25.00	15.38	10.00	8	0.67	3.00	.75 x .75	4.00	11.75	2.81	970*	31.75	24	1 1/4 - 8	1280*
28	32.41	6.50	26.47	20.54	26.75	15.38	10.00	8	0.67	3.00	.75 x .75	4.00	11.75	2.81	1115	34.00	28	1 1/4 - 8	1300
30	34.50	7.50	28.31	21.36	28.75	19.50	11.73	8	0.81	3.50	.88 x .62	5.25	13.50	3.10	1475	36.00	28	1 1/4 - 8	1740
32	37.62	7.50	30.19	22.36	30.00	19.50	11.73	8	0.81	3.50	.88 x .62	5.25	13.50	3.22	1650*	38.50	28	1 1/2 - 8	2060*
34	39.62	7.75	30.13	23.86	30.00	19.50	11.73	8	0.81	3.50	.88 x .62	5.25	13.50	3.35	1890*	40.50	32	1 1/2 - 8	2340*
36	40.68	8.26	34.00	25.27	33.00	19.50	11.73	8	0.81	3.50	.88 x .62	5.25	13.50	3.63	1960	42.75	32	1 1/2 - 8	2600
40	51.00	9.50	36.99	27.25	37.00	19.50	11.73	8	0.81	4.50	1.0 x .75	5.25	13.50	4.38	3850*	47.25	36	1 1/2 - 8	3950*
42	53.31	9.50	39.05	29.37	38.00	19.50	11.73	8	0.81	4.50	1.0 x .75	5.25	13.50	4.38	4250*	49.50	36	1 1/2 - 8	4300
48	54.00	10.00	46.09	33.12	42.13	24.00	14.02	8	1.25	5.00	1.25 x .88	6.00	16.00	4.50	4610*	56.00	44	1 1/2 - 8	5680*
54	66.38	10.75	52.45	35.65	45.50	24.00	14.02	8	1.25	6.00	1.5 x 1.0	6.50	16.00	4.75	7100*	62.75	44	1 3/8 - 8	7210*
60	73.00	12.50	57.07	39.44	50.75	26.00	15.98	8	1.50	7.00	1.75 x 1.5	7.50	18.70	4.75	----*	69.25	52	1 3/8 - 8	9360

Drawings are for reference only. Please refer to Bray ES drawings on the Bray website, www.bray.com. Bray reserves the right to change product dimensions without notice.

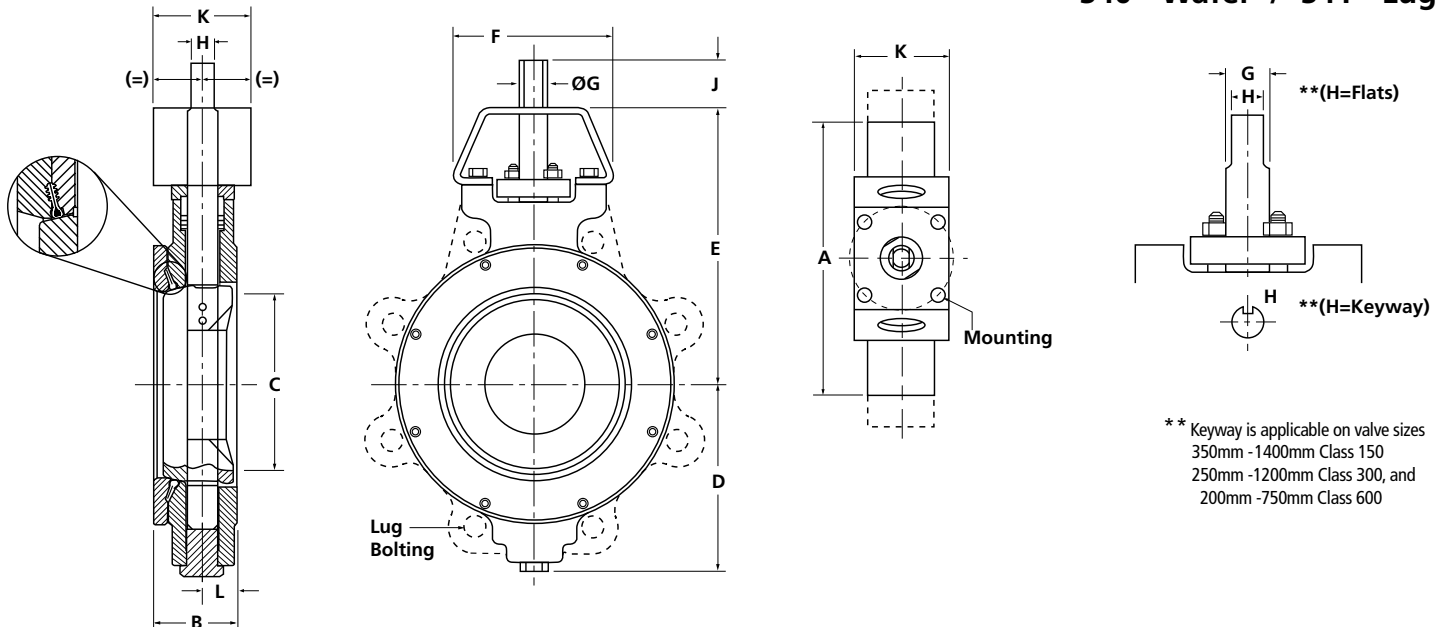
SR Drawing #40/41-2.5/60-in. August 2012- Rev. 0

Inquire/P.O. No.: _____

Customer/Project: _____

Bray Order No.: _____

S40 - Wafer / S41 - Lug



** Keyway is applicable on valve sizes
350mm - 1400mm Class 150
250mm - 1200mm Class 300, and
200mm - 750mm Class 600

Dimensions are in mm and weights in kgs.

Weights are for Cast Steel bodies, except when noted by *.

* - Flame cut body weights. Flame Cut Steel and SS bodies vary. Please consult factory.

‡ - C dimension is absolute minimum pipe ID at valve face (without gasket).

METRIC DIMENSIONS: Millimeters

Valve Size	A	B	C‡	D	E	F	Mounting Data			G	H**	J	K	L	Weight (kg)	Lug Bolting Data			Weight (kg)
							BCD	No. Holes	Hole Dia.							PCD	No. Holes	Threads UN-2B	
65	121	48	58	97	162	111	70	4	9.6	16	11	32	64	20	6	140	4	5/8 - 11	6
80	133	48	73	104	168	111	70	4	9.6	16	11	32	64	20	7	152	4	5/8 - 11	7
100	171	52	94	120	191	111	70	4	9.6	16	11	32	64	19	9	191	8	5/8 - 11	10
125	191	57	122	129	191	130	70	4	9.6	19	13	32	114	24	12	216	8	3/4 - 10	15
150	219	57	149	141	203	130	70	4	9.6	19	13	32	114	24	15	241	8	3/4 - 10	21
200	273	61	198	176	241	130	125	4	13.5	22	16	32	114	24	21	298	8	3/4 - 10	24
250	332	70	248	217	273	155	125	4	13.5	30	22	51	114	27	36	362	12	7/8 - 9	43
300	394	78	298	259	311	155	125	4	13.5	30	22	51	114	29	56	432	12	7/8 - 9	62
350	445	95	328	304	368	197	125	4	13.5	35	10 x 10	51	165	36	94	476	12	1 - 8	103
400	503	104	373	329	451	264	165	4	20.5	50	12 x 10	64	165	42	142	540	16	1 - 8	156
450	544	117	422	359	508	264	165	4	20.5	50	12 x 10	64	165	47	182	578	16	1 1/8 - 8	200
500	601	128	470	388	578	264	165	4	20.5	64	15.8 x 15.8	102	165	52	239	635	20	1 1/8 - 8	274
600	711	152	572	463	635	391	254	8	17.0	76	19 x 19	102	298	62	369	749	20	1 1/4 - 8	422
650	749	165	568	488	635	391	254	8	17.0	76	19 x 19	102	298	71	440	806	24	1 1/4 - 8	581
700	823	165	672	522	679	391	254	8	17.0	76	19 x 19	152	298	71	506	864	28	1 1/4 - 8	590
750	876	191	719	543	730	495	298	8	20.5	89	22.3 x 15.8	133	343	79	669	914	28	1 1/4 - 8	789
800	956	191	767	568	762	495	298	8	20.5	88.9	22.3 x 15.8	133	343	82	748	978	28	1 1/2 - 8	934
850	1006	197	765	606	762	495	298	8	20.5	89	22.3 x 15.8	133	343	85	857	1029	32	1 1/2 - 8	1061
900	1033	210	864	642	838	495	298	8	20.5	88.9	22.8 x 15.8	133	343	92	889	1086	32	1 1/2 - 8	1179
1000	1295	241	940	692	940	495	298	8	20.5	114	25.4 x 19.05	133	343	111	1746	1200	36	1 1/2 - 8	1792
1050	1354	241	992	746	965	495	298	8	20.5	114	25.4 x 19.05	133	343	111	1928	1257	36	1 1/2 - 8	1950
1200	1372	254	1171	841	1070	610	356	8	31.7	127	31.7 x 22.3	152	406	114	2091	1422	44	1 1/2 - 8	2576
1400	1686	273	1332	906	1156	610	356	8	31.7	152	38.1 x 25.4	165	406	121	3221	1594	44	1 3/8 - 8	3270

Drawings are for reference only. Please refer to Bray ES drawings on the Bray website, www.bray.com. Bray reserves the right to change product dimensions without notice.

SR Drawing #40/41-2.5/60-m August 2012- Rev. 0

Inquire/P.O. No.: _____

Customer/Project: _____

Bray Order No.: _____