



SERIES 10 & 20

MADE IN MARS

**Economical
One-Piece / Two-Piece Ball Valves
Stainless Steel And Carbon Steel
Threaded Ends
1000 / 1500 / 2000 PSI**

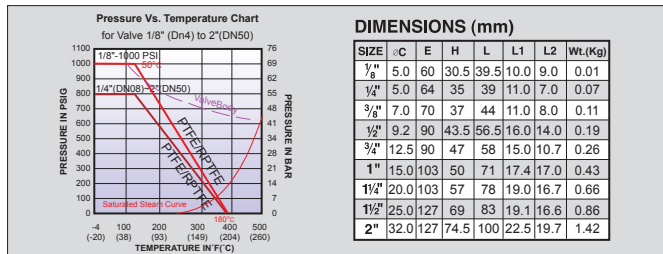
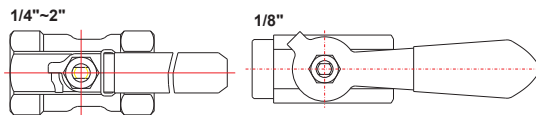
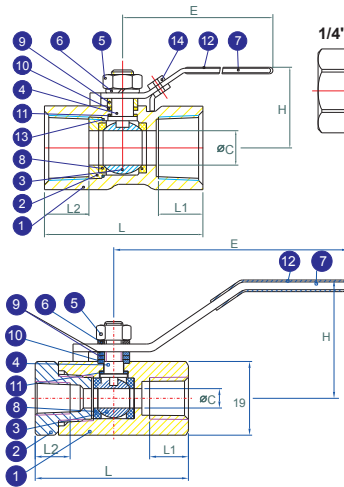
Take a good look, it may be your future

DESIGN FEATURES

- For General Industrial and Chemical Applications, provides Safe, Economical Performance
- Economical Compact Design
- Blow-Out Proof Stem
- Low Operation Torque
- Investment Cast Body Construction

SERIES 10-10

Reduced Port



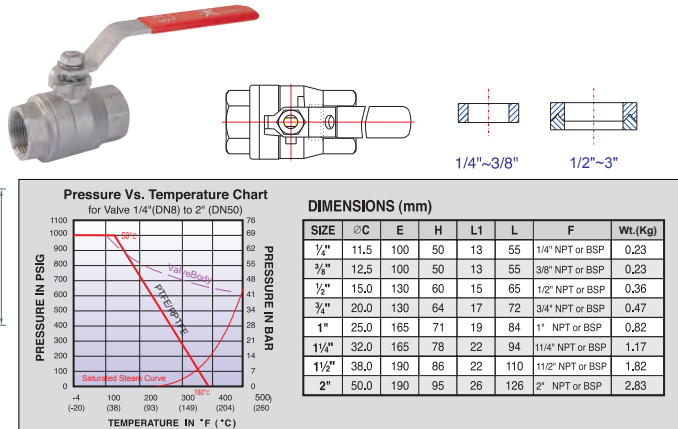
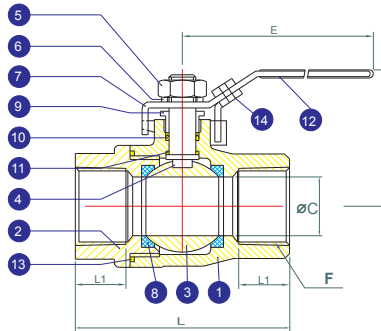
MATERIALS LIST

NO.	PART NAME	MATERIAL	Q'TY
1	Body	CF8M / WCB	1
2	Cap	CF8M / WCB	1
3	Ball	SUS316/CF8M	1
4	Stem	SUS316	1
5	Stem Nut	SUS 304	1
6	Stem Washer	SUS 304	1
7	Handle	SUS 304	1
8	Seat	PTFE	2
9	Gland	SUS 304	1
10	Stem Packing	PTFE	1
11	Stem seal	PTFE	1
12	Handle Sleeve	VINYL	1
13	Joint Gasket	PTFE	1
14	Locking Device	SUS 304	1

‡ Available as an option

SERIES 20-10

Full Port



MATERIALS LIST

NO.	PART NAME	MATERIAL	Q'TY
1	Body	CF8M / WCB	1
2	End Cap	CF8M / WCB	1
3	Ball	SUS316/CF8M	1
4	Stem	SUS316	1
5	Stem Nut	SUS 304	1
6	Stem Washer	SUS 304	1
7	Handle	SUS 304	1
8	Seat	PTFE	2
9	Gland Nut	SUS 304	1
10	Stem Packing	PTFE	§
11	Stem seal	PTFE	1
12	Handle Sleeve	VINYL	1
13	Joint Gasket	PTFE	1
14	Locking Device	SUS 304	1

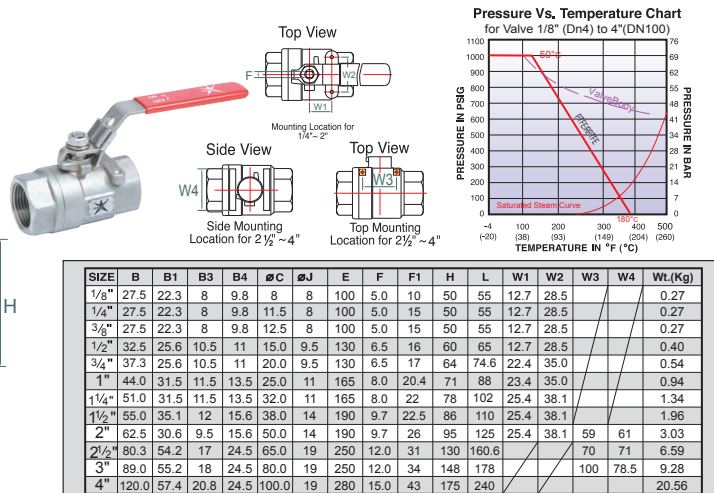
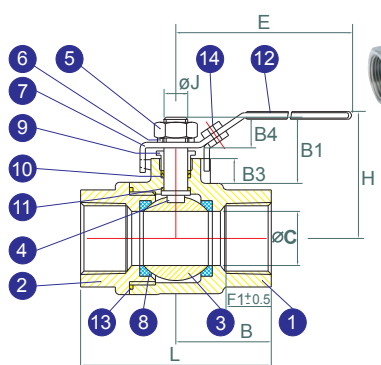
§ 1/4" - 1/2" regular 1pc stem packing is used instead

‡ Available as an option

Note: For carbon steel version replace item No. 1 & No. 2 with

SERIES 20-20

Full Port



MATERIALS LIST

NO.	PART NAME	MATERIAL	Q'TY
1	Body	CF8M / WCB	1
2	End Cap	CF8M / WCB	1
3	Ball	SUS316/CF8M	1
4	Stem	SUS316	1
5	Stem Nut	SUS 304	1
6	Stem Washer	SUS 304	1
7	Handle	SUS 304	1
8	Seat	PTFE	2
9	Gland Nut	SUS 304	1
10	Stem Packing	PTFE	§
11	Stem seal	PTFE	1
12	Handle Sleeve	VINYL	1
13	Joint Gasket	PTFE	1
14	Locking Device	SUS 304	1

§ 1/4" - 3/8" regular 1pc stem packing is used instead

‡ Available as an option

1 1/2" - 3" 1 set of v-ring packing consists of 2pcs of v-ring

‡ Available as an option

